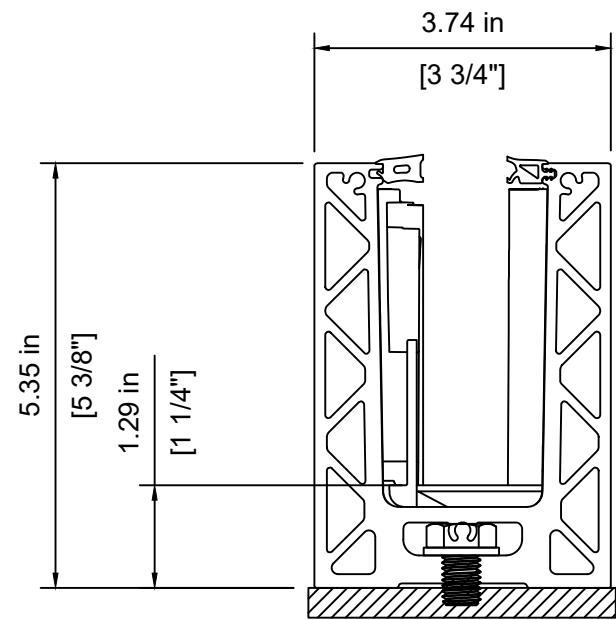


EASY GLASS STRONG
BASE SHOE
TOP MOUNT
CONCRETE CONNECTION



EASY GLASS STRONG
BASE SHOE
TOP MOUNT
STEEL CONNECTION



Q-RAILING, NORTH AMERICA
California Branch - H.Q.
14321 Franklin Avenue
Tustin, CA. 92870

REV.	VER.	BY	DATE	DESCRIPTION

Q-RAILING, ASSUMES NO RESPONSIBILITY AS TO MEASUREMENTS OR DETAILS AFFECTING ANY WORK BUT ITS OWN, AND IS NOT RESPONSIBLE FOR ANY ERRORS OCCURRING THROUGH THE USE OF THESE DRAWINGS BY OTHER PARTIES. ANY SUCH USE WILL BE AT THEIR SOLE RISK

CUSTOMER

N/A

PROJECT

N/A

PROJECT NO.

N/A

PROJECT ADDRESS

N/A

DESCRIPTION

STRONG BASE SHOE DETAILS

DRAWN BY

PG

CHECKED BY

CL

DRAWING DATE

08.09.2024

SCALE

NTS

SEAL / STAMP

DRAWING TITLE

ICC REPORT

DRAWING NUMBER

1.01